



SIGMA CARE

(B-841)

ELECTRIC ICU HOSPITAL BED

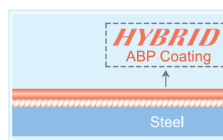
Sigma Care B-841 Electric ICU Hospital Bed comply with the International Medical Technical and Equipment Quality Assurance standards which is the IEC 60601-2-52 & IEC 60601-01.

IEC 60601-2-52 standard is one part of a range of standards defining the requirements for the basic safety and essential performance of all Medical electrical equipment, while IEC 60601-01 standard is the requirement for medical electrical equipment.



Meeting IEC60601-2-52

Particularly focuses on the design safety for Adult Medical Beds

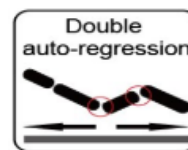


Anti-Bacterial Powder (ABP) Coating

To provide with excellent rustproof and anti-bacterial effect



KA30 LINAK
Low Voltage DC Actuator
Load thrust up to 3500N



Double Auto-Regression

Reducing friction to a minimum



Removable PP Platform
Easily replaceable



(B-841) ELECTRIC ICU HOSPITAL BED



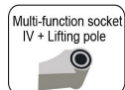
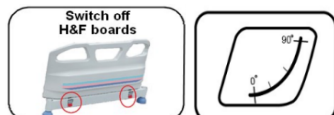
SIGMA CARE

Standard Features

- LINAK Low voltage DC actuator
- 5" central brake system with twin wheels
- Central control system for brake and steer
- Steel frame with Anti-Bacterial powder coating
- Detachable PP Platform
- Double auto-regression
- Movable Head and Foot boards with quick safety switch
- Split tuck-away side rail
- Angle indicators
- Trendelenburg & Rev. Trend
- 5 function bed hand controller with sensor lock (includes Exit, Examination and Electric CPR)
- CPR release for backrest
- 4 corners with rolling bumpers
- 4 Multi function socket IV + Lifting pole
- 4 urine bag hooks

LINAK
WE IMPROVE YOUR LIFE
powered by LINAK

5 Function
4 Motors



Optional Features

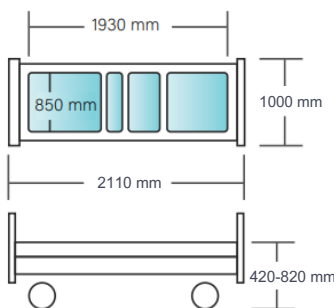
- Head X Ray
- In bed scale system (max. 250kg)
- Removable nursing controller
- Storage box
- Under bed light
- Bed extender (add 200mm length to the bed)
- Anti-static castor
- 5th wheel
- Built in controller
- Battery backup



Specifications

Overall size	L2110 x W1000 mm
Mattress platform	L1930 x W850 mm
Backrest	0 ~ 75°+
Knee-break	0 ~ 30°+
Bed Height	420 ~ 820 mm (actual height may vary based on type of castors selected)
Trendelenburg & Rev. Trend.	±16°
Castor	6" twin wheel
Urine bag holder	2 pcs each side (4 in total)
IV socket	2 sockets each side (4 in total)
Safety static load	270 kgs / 700 lbs

225kg / 496lbs
270kg / 595lbs



± 5% tolerance for above

Images shown are for illustration purpose only.



Contact Us
+606-234 7777



**SEVENS CARE
PHARMACY**

Lot A2, Jalan PKCAK, Pusat Komersial
Cendana, 75450 Ayer Keroh, Melaka.
www.sevenscarepharmacy.com